

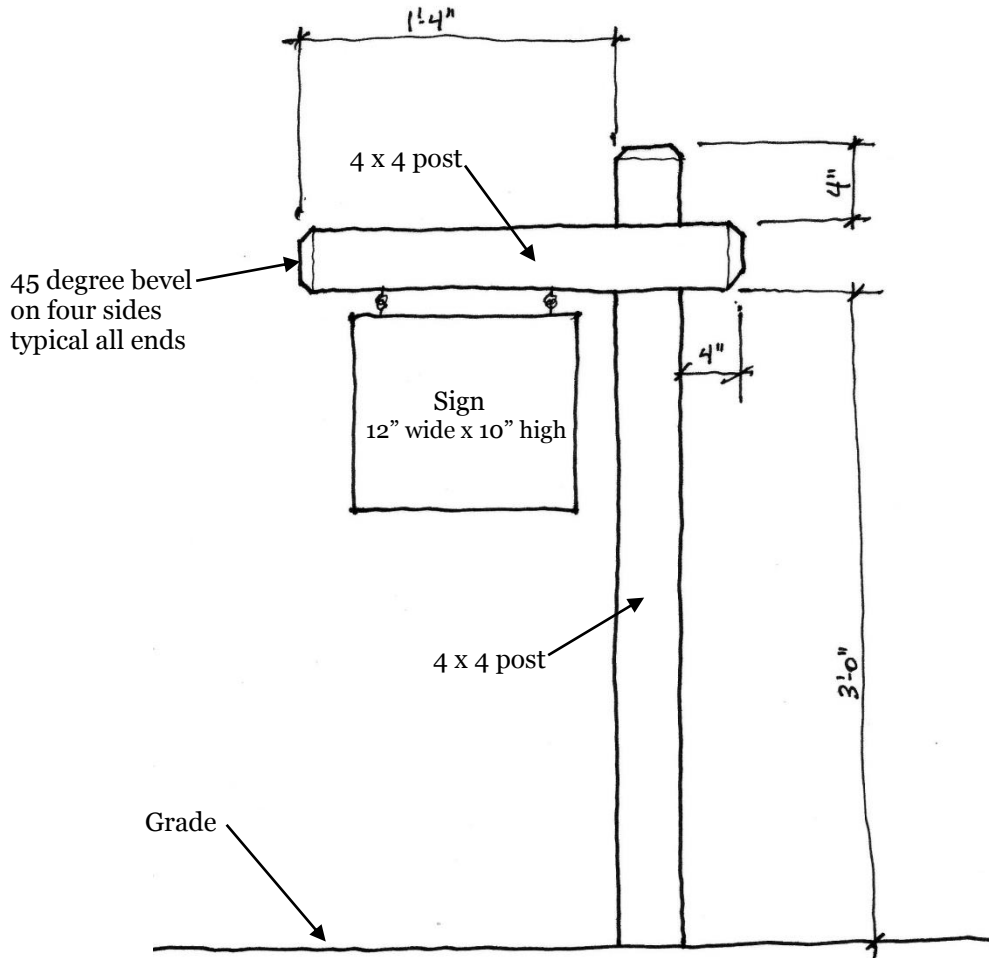
PARADISE KEY

SOUTH BEACH

Sign Criteria

for site signs for

Real Estate Companies / Contractors / Architects



1. All sign must meet the above design.
2. Posts must be made by Kenny Kettrey to meet these standards. Contact # 904-238-7102
3. All sign posts must be the approved green color as painted by Kettrey.
4. Sign panels may be two sided and contain the logo for the entity.
5. Only one sign for the Real Estate Company, Contractor and Architect may be installed on each lot regardless of the lot's frontage.
6. An onsite permit box sign is allowed. NO other signs are permitted. Any other signs will be removed and disposed of by the ARC.
7. Signs must be maintained in good condition and should be repaired or removed if they fall into disarray.